

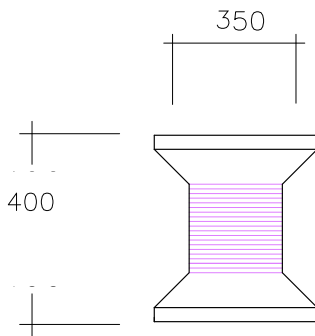
# Nook Stool

AUSTRALIAN DESIGNED AND MANUFACTURED

ESTABLISHED 1979



## Dimensions



## Specifications



### Materials

Solid Victorian Ash, American Oak or Pine

### Options

Available with or without cord

### Guarantee

10 year structural guarantee  
GECA certified manufacturer

arthurG

arthurg.com.au  
sales@arthurg.com.au

### Factory

1 Stafford St  
Huntingdale  
VIC 3166  
+61 3 9543 4633

### Melbourne

618 Church St  
Richmond  
VIC 3121  
+61 3 9429 6696

### Sydney

1/8 Hill St  
Surry Hills  
NSW 2010  
+61 2 9332 1488

### Perth

207 Stirling Hwy  
Claremont  
WA 6010  
+61 8 9286 1433

### Brisbane

977A Ann St  
Fortitude Valley  
QLD 4006  
+61 7 3924 7913

### Transforma

21 Kensington Rd  
Norwood  
SA 5067  
+61 8 8332 4044