

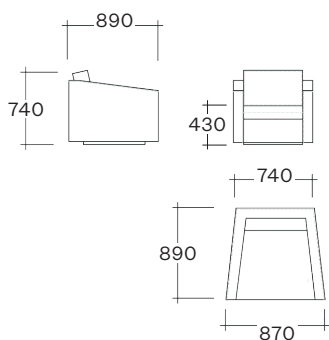
# Milan MKIII Swivel

AUSTRALIAN DESIGNED AND MANUFACTURED

ESTABLISHED 1979



## Dimensions



## Specifications



### Materials

Solid hardwood

### Cushioning

High density premium foam with dacron wrap or feather wrap

### Upholstery

Fabric, leather

### Leg

Hidden swivel

### Powdercoat

Black

### Detail

French Seam

### Options

Available without swivel base

### Guarantee

10 year structural guarantee

GECA certified manufacturer

**arthurG**

arthurg.com.au  
sales@arthurg.com.au

### Factory

1 Stafford St  
Huntingdale  
VIC 3166  
+61 3 9543 4633

### Melbourne

618 Church St  
Richmond  
VIC 3121  
+61 3 9429 6696

### Sydney

1/8 Hill St  
Surry Hills  
NSW 2010  
+61 2 9332 1488

### Perth

207 Stirling Hwy  
Claremont  
WA 6010  
+61 8 9286 1433

### Brisbane

977A Ann St  
Fortitude Valley  
QLD 4006  
T +61 7 3924 7913

### Transforma

21 Kensington Rd  
Norwood  
SA 5067  
+61 8 8332 4044