

Mason Modular

Page 1 of 2

AUSTRALIAN DESIGNED AND MANUFACTURED

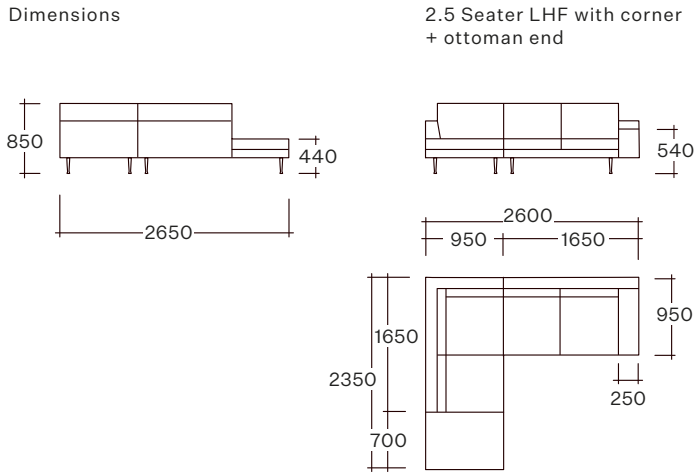
ESTABLISHED 1979



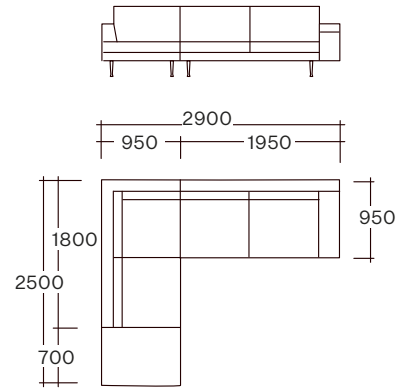
Mason Modular

Page 2 of 2

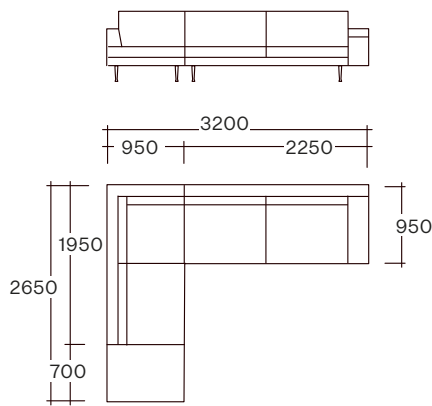
Dimensions



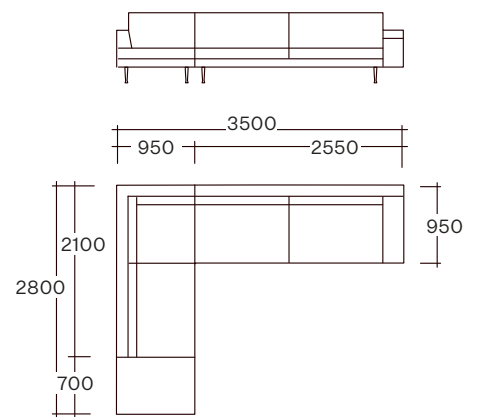
3 Seater LHF with corner + ottoman end



3.5 Seater LHF with corner + ottoman end



4 Seater LHF with corner + ottoman end



Alternative sizes and configurations available.

Specifications

Materials

Solid hardwood

Cushioning

Seat: high density premium foam with dacron wrap. Seat back: feather / fibre mix

Upholstery

Fabric, leather

Leg

Metal Pindrop

Powdercoat

Black, brushed nickel

Options

Matching ottoman available

Guarantee

10 year structural guarantee

GECA certified manufacturer



arthurG

arthurg.com.au
sales@arthurg.com.au

Factory

1 Stafford St
Huntingdale
VIC 3166
+61 3 9543 4633

Melbourne

618 Church St
Richmond
VIC 3121
+61 3 9429 6696

Sydney

1/8 Hill St
Surry Hills
NSW 2010
+61 2 9332 1488

Perth

207 Stirling Hwy
Claremont
WA 6010
+61 8 9286 1433

Brisbane

977A Ann St
Fortitude Valley
QLD 4006
T +61 7 3924 7913

Transforma

21 Kensington Rd
Norwood
SA 5067
+61 8 8332 4044