

# Martin Chaise

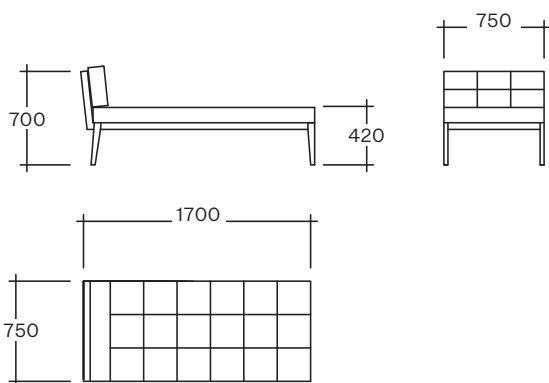
AUSTRALIAN DESIGNED AND MANUFACTURED

ESTABLISHED 1979



## Martin Chaise

### Dimensions



Alternative sizes available.

### Specifications



#### Materials

Solid Victorian Ash, Solid American Oak

#### Cushioning

High density premium foam

#### Upholstery

Fabric, leather

#### Leg Stain

8 finishes

#### Detail

Open Weave rattan seat back

#### Guarantee

10 year structural guarantee

GECA certified manufacturer

**arthurG**

arthurg.com.au  
sales@arthurg.com.au

#### Factory

1 Stafford St  
Huntingdale  
VIC 3166  
+61 3 9543 4633

#### Melbourne

618 Church St  
Richmond  
VIC 3121  
+61 3 9429 6696

#### Sydney

1/8 Hill St  
Surry Hills  
NSW 2010  
+61 2 9332 1488

#### Perth

207 Stirling Hwy  
Claremont  
WA 6010  
+61 8 9286 1433

#### Brisbane

977A Ann St  
Fortitude Valley  
QLD 4006  
T +61 7 3924 7913

#### Transforma

21 Kensington Rd  
Norwood  
SA 5067  
+61 8 8332 4044