


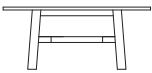
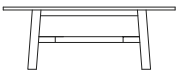
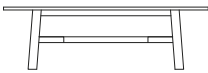
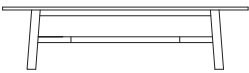
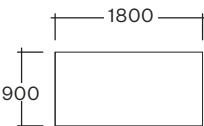
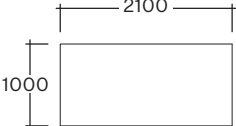
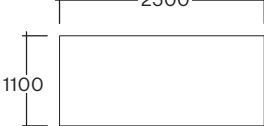

Hampton Dining Table

AUSTRALIAN DESIGNED AND MANUFACTURED

ESTABLISHED 1979



Victorian Ash Natural

Dimensions	Seats 4	Seats 6	Seats 8	Seats 12
				
				

Alternative sizes available. Seats per table are a guide.

Specifications



Materials

Solid Victorian Ash, Solid American Oak

Top Thickness

32mm, 42mm

Finish

Gloss

Leg

Solid Victorian Ash, Solid American Oak

Leg Stain

8 Finishes

Options

Veneer construction and /or custom stain matching available on request.

Guarantee

10 year structural guarantee
GECA certified manufacturer

arthurG

arthurg.com.au
sales@arthurg.com.au

Factory

1 Stafford St
Huntingdale
VIC 3166
+61 3 9543 4633

Melbourne

618 Church St
Richmond
VIC 3121
+61 3 9429 6696

Sydney

1/8 Hill St
Surry Hills
NSW 2010
+61 2 9332 1488

Perth

207 Stirling Hwy
Claremont
WA 6010
+61 8 9286 1433

Brisbane

977A Ann St
Fortitude Valley
QLD 4006
T +61 7 3924 7913

Transforma

21 Kensington Rd
Norwood
SA 5067
+61 8 8332 4044