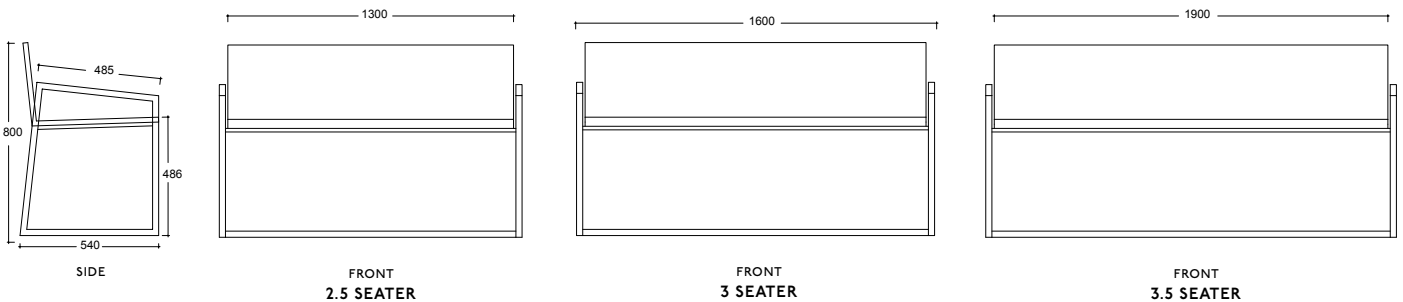


Mandy

BY HENRY



MANDY 3 SEATER



AS PICTURED: 1600mm in Length (3 seater)

1300mm (2.5 Seater) and 1900mm (3.5 seater)

MATERIALS
American Oak

CUSHIONING
High density premium foam

STAIN
Various

UPHOLSTERY
fabric/leather

OPTIONAL
Victorian Ash, Steel

GUARANTEE
10 Year structural guarantee

GECA certified manufacturer

arthurG

arthurg.com.au
sales@arthurg.com.au

Factory
1 Stafford Street
Huntingdale
Victoria 3166
T+61 3 9543 4633

Melbourne
618 Church Street
Richmond
Victoria 3121
T+61 3 9429 6696

Sydney
1/8 Hill Street
Surry Hills 2010
New South Wales
T+61 2 9332 1488

Perth
207 Stirling Hwy
Claremont 6010
Western Australia
T+61 8 9286 1433

Adelaide/Transforma
21 Kensington Road
Norwood 5067
South Australia
T+61 8 8332 4044