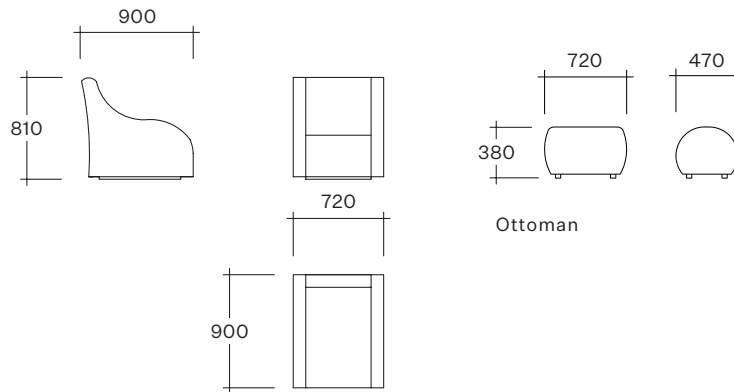


Amelia



Dimensions



Specifications



Materials
Solid timber

Cushioning
High density
premium foam
Leg
Swivel, floating

Details
Contrast piping,
self piped
Upholstery
Fabric, leather

Guarantee
10 year structural
guarantee

GECA certified
manufacturer