

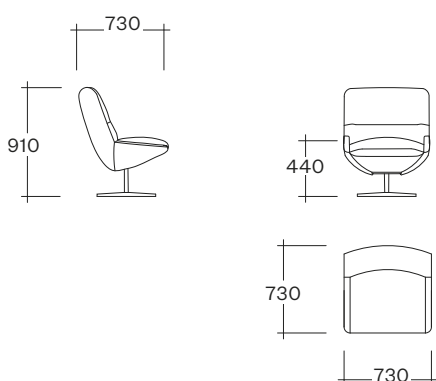
Albert Swivel

AUSTRALIAN DESIGNED AND MANUFACTURED

ESTABLISHED 1979



Dimensions



Specifications



Materials

Solid hardwood

Insert

High density premium foam

Upholstery

Fabric, leather

Leg

Four prong metal swivel

Powdercoat

Black, Silver

Options

Alternative powdercoat colours available on request

Guarantee

10 year structural guarantee
GECA certified manufacturer

arthurG

arthurg.com.au
sales@arthurg.com.au

Factory

1 Stafford St
Huntingdale
VIC 3166
+61 3 9543 4633

Melbourne

618 Church St
Richmond
VIC 3121
+61 3 9429 6696

Sydney

1/8 Hill St
Surry Hills
NSW 2010
+61 2 9332 1488

Perth

207 Stirling Hwy
Claremont
WA 6010
+61 8 9286 1433

Brisbane

977A Ann St
Fortitude Valley
QLD 4006
T +61 7 3924 7913

Transforma

21 Kensington Rd
Norwood
SA 5067
+61 8 8332 4044